

High-speed winders

ASW, babyASW,
WinTens



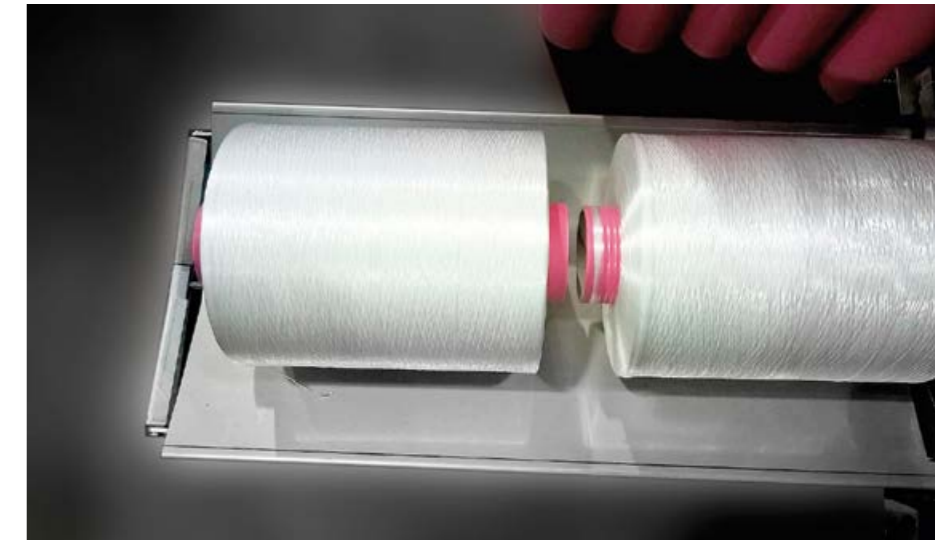
Would you like to modernize your spinning plant? Are you looking for the right winder so you can return to the very top of the premier league of high-end yarn manufacturers? Or are you manufacturing sensitive yarns and looking for the perfect winder that treats these yarns with kid gloves?

With us, the choice is extensive: whether multifilaments or monofilaments, whether micro or heavy deniers, whether sensitive or robust yarns – we have the perfect winder for you in our portfolio.

Features and variants

All our winders have a common foundation: a sophisticated machine geometry and our tried-and-tested yarn displacement technology ensure high-end yarns even at high winding speeds. The reversing shaft in our winders guarantees gentle yarn handling.

The first-class package build – achieved by winder settings precisely adjusted to each polymer and each titer range as standard – guarantees ideal further processing of the yarn. The machine availability of our winders proves that high-tech does not have to be delicate: their extremely low maintenance requirements and costs and their durability make STC Spinnzwirn winders a prudent investment.



Which winder for which product?

	ASW			WinTens/babyASW		
	Chuck length			Chuck length		
	600	920	1200	600	900	1200
PA/PES textile	x	x	x	x	x	x
PA/PES IDY	x	x	x	x	x	x
PP	x	x	x	x	x	x
BCF				x	x	
Microfilaments				x	x	x
Mother yarn/monofilament				x	x	x

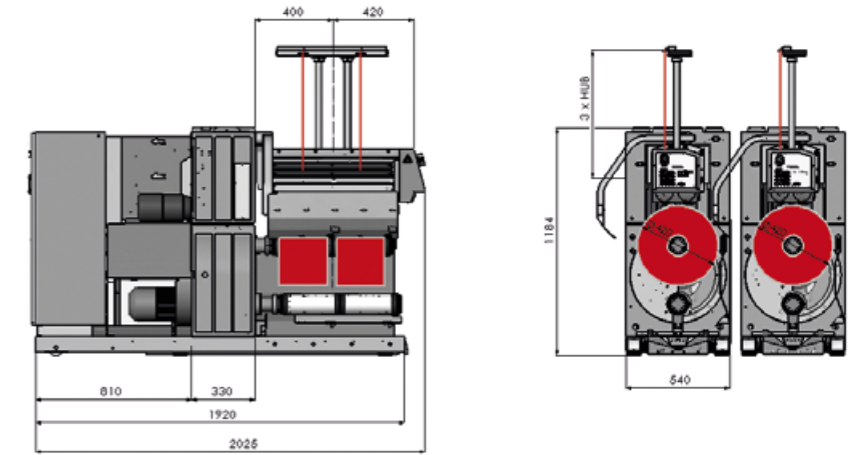


The ASW is the successful automatic successor to the globally-deployed SW winder. Its specialty lies in the modernization of old POY systems. But this master of adaptation also caters to FDY and industrial yarn systems with its reliable and proven technology. Its most important features: perfect package build for higher downstream speeds and an optimum success rate for automatic yarn transfer, ensuring a high level of production efficiency.

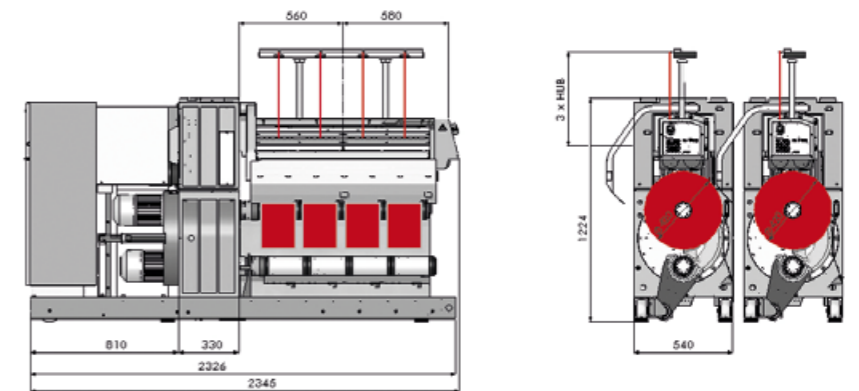
Special features

- Groove roll-cam shaft traverse system
- No godets for POY process needed
- Individual inverter system
- Counter-current string-up
- Doffer connection for further production automation possible

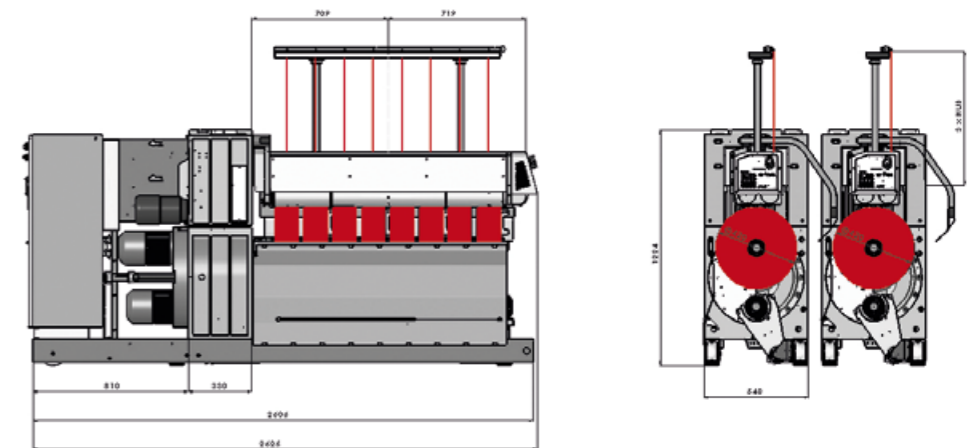
ASW 602



ASW 924



ASW 1208



Technical data

Version	Denier range*		Take-up speed*	Chuck diameter*	Max. package diameter*	Max. package volume**	Tube length	Stroke
	textile yarn	industrial yarn						
ASW 602	17 ... 300	200 ... 5,000	2,500 ... 4,500	75/94	420	33.1	300/290	250
ASW 604	17 ... 300	200 ... 1,000	2,500 ... 4,500	75/94	420	15.9	150	120
ASW 923	17 ... 300	200 ... 4,500	2,500 ... 4,500	94	420	32.4	306.6/296.6	250
ASW 924	17 ... 300	200 ... 2,500	2,500 ... 4,500	94	420	24.6	230	190
ASW 926	17 ... 300	200 ... 1,000	2,500 ... 4,500	94	420	15.5	153.3	120
ASW 1204	17 ... 300	200 ... 4,500	2,500 ... 4,500	94/110	420	33.7	300	250
ASW 1206	17 ... 300	200 ... 2,000	2,500 ... 4,500	94/110	420	22.9	200	170
ASW 1208	17 ... 300	200 ... 1,000	2,500 ... 4,500	94/110	420	16.1	150	120

* max. values cannot be combined ** calculated with the smaller chuck diameter *** other speeds on request.

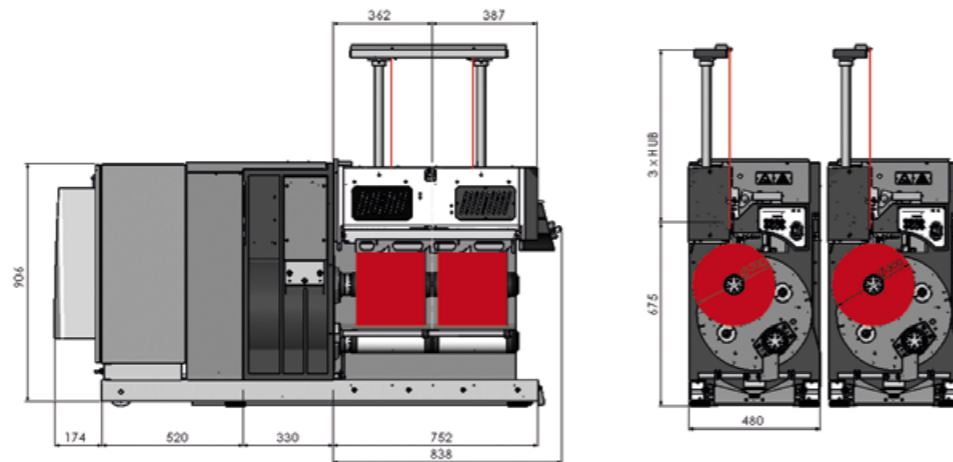
babyASW



Yarn producers looking for a more compact solution to upgrade their industrial yarn plant should go for the babyASW or WinTens. These are the perfect choice when replacing manual or automatic winders within existing spinning plants.

Special features

- Cam shaft traverse system
- Counter-current string-up
- Take-up cradle (lifting function available)
- Conversion sets available to change between 2-4 and 3-6 yarn ends



Technical data

Version	Denier range*		Take-up speed*	Chuck diameter*	Max. package diameter*	Max. package volume**	Tube length	Stroke
	dtex/yarn end textile yarn	industrial yarn						
babyASW 602	50 ... 300	300 ... 5,000	1,500 up to 4,200	73/75/94	300	16.1	300/290	250
babyASW 603	50 ... 300	300 ... 2,000	1,500 up to 4,200	75/94	300	11.0	200	170
babyASW 604	50 ... 300	300 ... 1,000	1,500 up to 4,200	75/94	300	7.7	150	120
babyASW 903	50 ... 300	300 ... 5,000	1,500 up to 4,200	73/94	300	15.4	300/290	250
babyASW 904	50 ... 300	300 ... 2,500	1,500 up to 4,200	94	300	11.7	225	190
babyASW 906	50 ... 300	300 ... 1,000	1,500 up to 4,200	94	300	7.4	150	120
babyASW 908	15 ... 300	300 ... 600	1,500 up to 4,200	94	300	5.2	112,5	85

* max. values cannot be combined

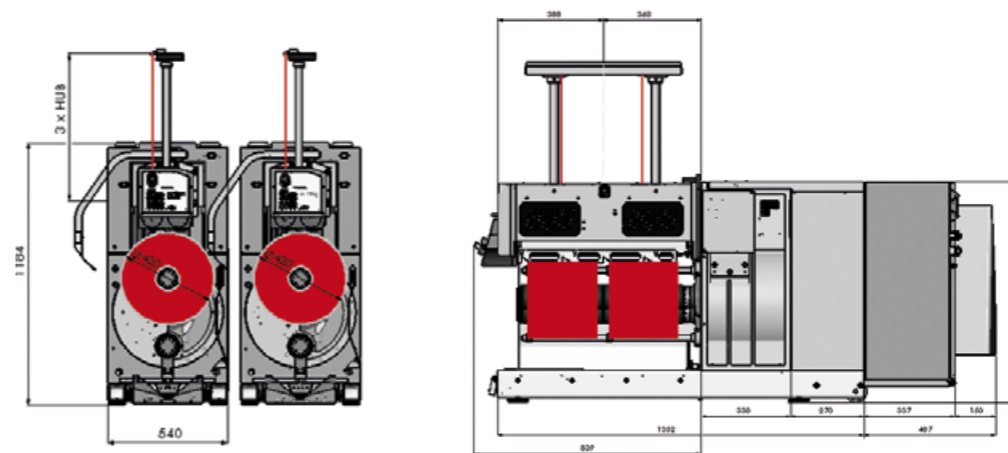
** calculated with the smaller chuck diameter

WinTens

The WinTens winder is the compact high-speed winder in our portfolio. The low construction height is made possible by the special type of continuous rotating automatic filament turret (CRAFT) used. To this end, WinTens is a whole 100 mm less in height with the same performance than the babyASW and therefore fits into virtually every existing spinning plant.

Special features

- Most compact winder
- Cam shaft traverse system
- Counter-current string-up
- Take-up cradle (lifting function available - not for 1200 mm)
- Conversion sets available to change between 2-4 and 3-6 yarn ends



Technical data

Version	Denier range*		Take-up speed*	Chuck diameter*	Max. package diameter*	Max. package volume**	Tube length	Stroke
	dtex / yarn end textile yarn	industrial yarn						
WinTens 602	50 ... 300	300 ... 5,000	1,500 up to 4,200	73/75/94	300	16.1	300/290	250
WinTens 603	50 ... 300	300 ... 2,000	1,500 up to 4,200	75/94	300	11.0	200	170
WinTens 604	50 ... 300	300 ... 1,000	1,500 up to 4,200	75/94	300	7.7	150	120
WinTens 903	50 ... 300	300 ... 5,000	1,500 up to 4,200	73/94	300	15.4	300/290	250
WinTens 904	50 ... 300	300 ... 2,500	1,500 up to 4,200	94	300	11.7	225	190
WinTens 906	50 ... 300	300 ... 1,000	1,500 up to 4,200	94	300	7.4	150	120
WinTens 1200	17 ... 300	200 ... 3,000	2,500 up to 4,500	94/110	420	16.1 ... 33.7	150 ... 300	120 ... 250

* max. values cannot be combined

** calculated with the smaller chuck diameter

STC Spinnzwirn GmbH

Zwickauer Straße 247

09116 Chemnitz

GERMANY

Phone +49 371 23 88/240

Fax +49 371 85 21 42

www.stc-spinnzwirn.com

info@stc-spinnzwirn.com

The information supplied in this brochure is for guidance only. We reserve the right to modify it at any time.

Reprint only with expressed permission of STC Spinnzwirn