

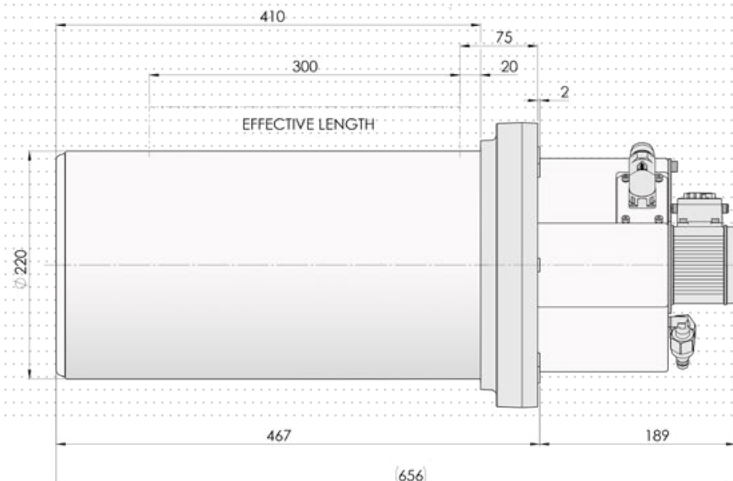
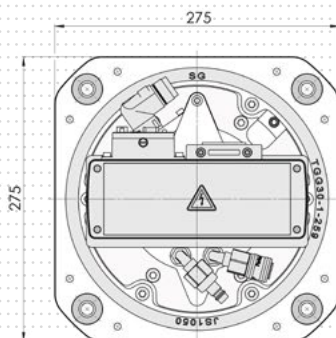
## Heated godet

### WITH THE SHORTEST INSTALLATION DEPTH

- » Induction heating with 4 heating zones
- » Bearing with grease lubrication and temperature monitoring
- » Water cooling system
- » Godet exchange by one operator within 30 min

Length* (in mm)	Diameter* (in mm)	Speed (in m/min)	Temperature (in °C)	Surface*
400	220	500 ... 6,000	up to 250 (+/- 1 K)	Ceramic or Chrome

\* others on request





Textile machinery and  
equipment from Chemnitz

A member of Starlinger Group

[stc-spinnzwirn.com](https://stc-spinnzwirn.com)

**STC Spinnzwirn GmbH**

Zwickauer Straße 247

09116 Chemnitz

Germany

+ 49 371 23 88 / 240

[info@stc-spinnzwirn.com](mailto:info@stc-spinnzwirn.com)

[stc-spinnzwirn.com](https://stc-spinnzwirn.com)

The information supplied in this  
brochure is for guidance only.

We reserve the right to modify  
it at any time.

Reprint only with expressed  
Permission of STC Spinnzwirn