

**STC**  
spinnzwirn

Textile machinery and  
equipment from Chemnitz

A member of Starlinger Group

# HIGH-SPEED WINDERS FOR BCF YARN



**STC**  
spinnzwirn

Textile machinery and  
equipment from Chemnitz

A member of Starlinger Group

[stc-spinnzwirn.com](http://stc-spinnzwirn.com)

**STC Spinnzwirn GmbH**  
Zwickauer Straße 247  
09116 Chemnitz  
Germany  
+ 49 371 23 88 / 240  
[info@stc-spinnzwirn.com](mailto:info@stc-spinnzwirn.com)  
[stc-spinnzwirn.com](http://stc-spinnzwirn.com)

The information supplied in this  
brochure is for guidance only.  
We reserve the right to modify  
it at any time.

Reprint only with expressed  
Permission of STC Spinnzwirn

# ASW

## THE PERFECT WINDER FOR HIGH WINDING DENSITY

- » The unique groove roll & cam shaft traverse system is placing the yarn exactly and gently on the bobbin
- » Including a take-up cradle for the full bobbins - optional available with lift function
- » Individual inverter system directly installed at the back of the winder to reduce the installation and maintenance time
- » Winder control system offers statistic functions, easy parameter changes, connection to a doffing system and/or to main control system via OPC



Version	Denier range* dtex/yarn end	Take-up speed* m/min	Chuck diameter* mm	Max. package diameter* mm	Max. package volume* dm <sup>3</sup>	Tube length mm	Stroke mm
ASW903	300 ... 3,000	1,600 ... 3,500	73	320	18.8	290	250

\* max. values cannot be combined

# WinTens & babyASW

## THE PERFECT WINDERS FOR 2END & 3END BCF LINES

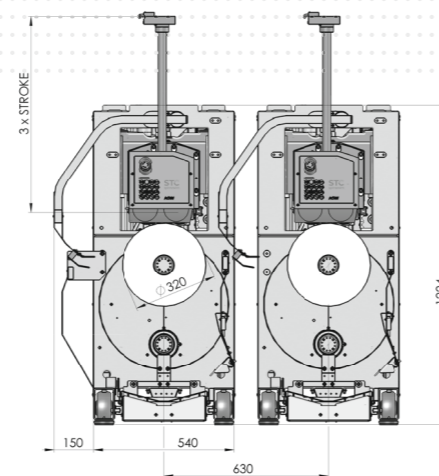
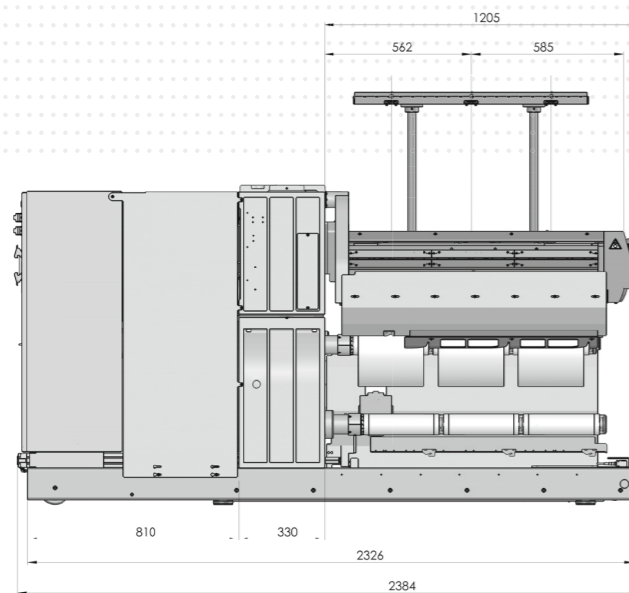
- » 2cop winder or 3cop winder with cam shaft traverse system
- » Including a take-up cradle for the full bobbins - optional available with lift function
- » Individual inverter system installed at the back of the winder to reduce the installation and maintenance time
- » Winder control system offers statistic functions, connection to a doffing system and/or to a main control system via OPC



Version	Denier range* dtex/yarn end	Take-up speed* (in m/min)	Chuck diameter* (in mm)	Max. package diameter* (in mm)	Max. package volume* (in dm <sup>3</sup> )	Tube length (in mm)	Stroke (in mm)
WinTens602	300 ... 3,000	1,500 ... 3,000	73	300	16.4	290	250
WinTens903	300 ... 3,000	1,500 ... 3,000	73	300	16.4	290	250
babyASW602	300 ... 3,000	1,500 ... 3,000	73	300	16.4	290	250
babyASW903	300 ... 3,000	1,500 ... 3,000	73	300	16.4	290	250

\* max. values cannot be combined

### ASW903



### WinTens903

